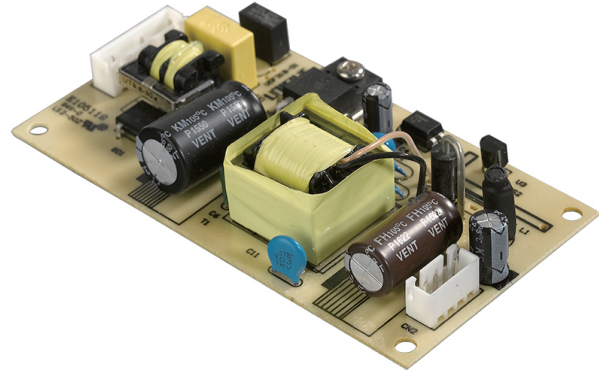


UOF Series

Open Frame Switching Power Supply **12W** Series



▲ UOF312



■ Please contact our sales department for safety standard of each model.



Product Highlights

- Stability
- Ultra small size
- Energy efficiency

Protection

- Short circuit protection
- Over Voltage Protection
- Over Current Protection

Safety Approvals

- UL60950
- CAN/CSA C22.2 NO. 60950
- IEC 60950

Emissions

- CE CISPR 32 Class B

Immunity

- EN55024/A1:2001

Electrical Spec Absolute Maximum Rating

Input					
Description	Min	Typ	Max	Units	Comment
Voltage	90	100~240	264	VAC	
Frequency	47	50/60	63	Hz	

Environmental					
Description	Min	Typ	Max	Units	Comment
Operating Temperature	0	-	40	°C	Free Convection,Sea level
Storage Temperature	-20	-	65	°C	Free Convection,Sea level
Operating Humidity	5	-	95	%RH	No Condensing
Storage Humidity	5	-	95	%RH	No Condensing

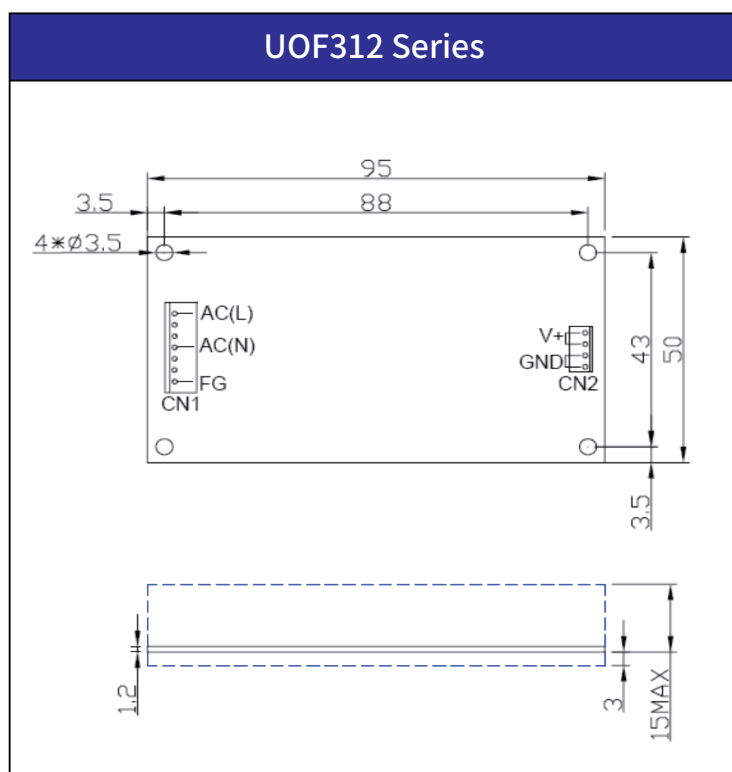
Typical model list

Input Condition	DC Output Voltage	DC Output Current	Output Voltage Precision	Ripple	Noises	Regulation		Option/Remark
						Line	Load	
1	5V	2.0A	±5%	50mV	50mV	2%	10%	
2	5.5V	2.0A	±5%	50mV	50mV	2%	10%	
3	7.0V	1.4A	±5%	70mV	70mV	2%	10%	
4	12V	0.8A	±5%	120mV	120mV	2%	10%	
5	12V	1.0A	±5%	120mV	120mV	2%	10%	
6	15V	0.8A	±5%	150mV	150mV	2%	10%	
7	24V	0.5A	±5%	240mV	240mV	2%	10%	
8	-	-	-	-	-	-	-	

■ Measurement condition

1. Measurements shall be made with an oscilloscope with 20MHz bandwidth.
2. Outputs shall be bypassed at the connector with a 0.1uF ceramic disk capacitor and a 10uF electrolytic capacitor to simulate system loading.

Mechanical Spec



■ Please contact our sales department for details of each model ■