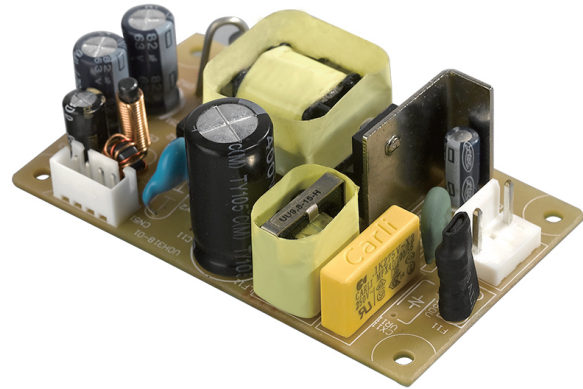


# UOH Series

## Open Frame Switching Power Supply **18W** Series



▲ UOH318



■ Please contact our sales department for safety standard of each model.



### Product Highlights

- Stability
- Ultra small size
- Energy efficiency

### Protection

- Short circuit protection
- Over Voltage Protection
- Over Current Protection

### Safety Approvals

- IEC 60950

### Emissions

- CE CISPR 32 Class B

### Immunity

- EN55024/A1:2001

# Electrical Spec Absolute Maximum Rating

Input					
Description	Min	Typ	Max	Units	Comment
Voltage	90	100~240	264	VAC	
Frequency	47	50/60	63	Hz	

Environmental					
Description	Min	Typ	Max	Units	Comment
Operating Temperature	0	-	40	°C	Free Convection,Sea level
Storage Temperature	-20	-	65	°C	Free Convection,Sea level
Operating Humidity	5	-	95	%RH	No Condensing
Storage Humidity	5	-	95	%RH	No Condensing

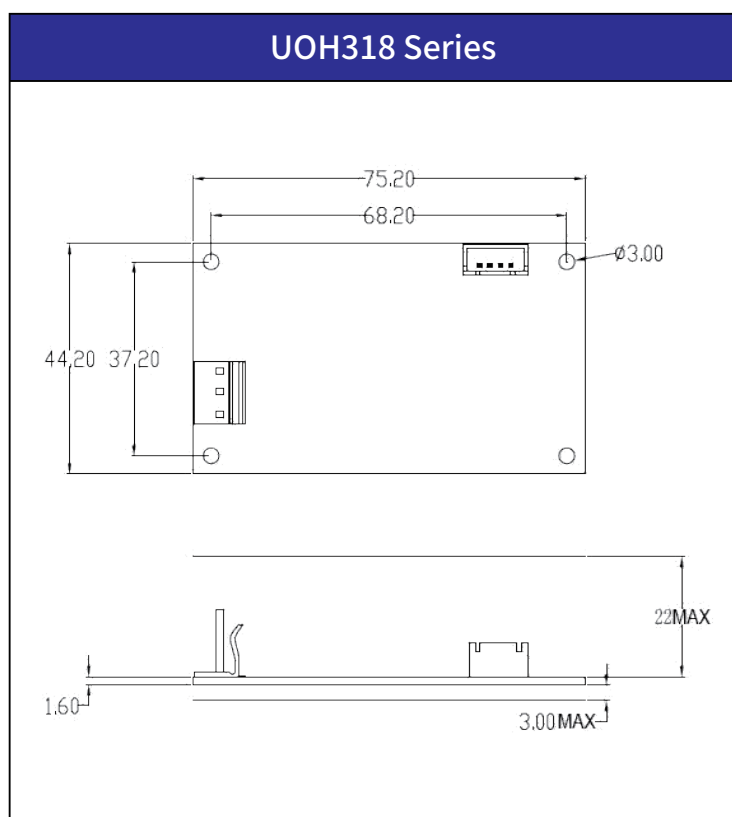
## Typical model list

Input Condition	DC Output Voltage	DC Output Current	Output Voltage Precision	Ripple	Noises	Regulation		Option/Remark
						Line	Load	
1	5V	3.0A	±5%	100mV	100mV	2%	10%	
2	12V	1.5A	±5%	100mV	100mV	2%	10%	
	-	-	-	-	-	-	-	

■ Measurement condition

1. Measurements shall be made with an oscilloscope with 20MHz bandwidth.
2. Outputs shall be bypassed at the connector with a 0.1uF ceramic disk capacitor and a 10uF electrolytic capacitor to simulate system loading.

## Mechanical Spec



■ Please contact our sales department for details of each model ■