

# UHCH 36W Series

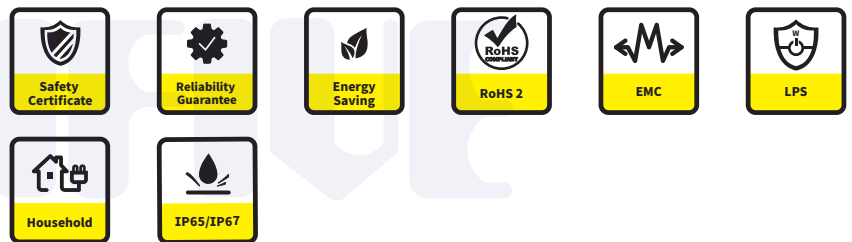
## Home Electronics and Appliances AC/DC Adaptor Water Resistance



▲ UHCHx3036



■ Please contact our sales department for safety standard of each model.



### Product Highlights

- Stability
- Energy and High Efficiency
- Suitable for home appliances
- Suitable for equipment which meet 60335

### Efficiency

- Energy Efficiency Level VI ( ErP / DoE )
- Meet COMMISSION REGULATION(EU) 2019/1782
- Meet DOE 10 CFR part 429 and 430

### Protection

- Short Circuit Protection
- Over Voltage Protection
- Over Current Protection
- Over Temperature Protection (Optional)

### Emissions

- FCC
  - FCC Part15-B
- CE
  - EN(CISPR)55014-B
- VCCI-B
- BS EN55014-1

### Safety Standard

- 61558-1
- 60335-1
- PSE 別表第八

### Immunity

- EN55014-2
  - BS EN55014-2
- The above specifications include the following test standards
- ✓ EN61000-4-2
  - ✓ EN61000-4-3
  - ✓ EN61000-4-4
  - ✓ EN61000-4-5
  - ✓ EN61000-4-6
  - ✓ EN61000-4-11

# Electrical Spec

Input					
Description	Min.	Typ.	Max.	Units	Comment
Voltage	90	100~240	264	Vac	
Frequency	47	50/60	63	Hz	

Environmental					
Description	Min.	Typ.	Max.	Units	Comment
Operating Temperature	0	-	40	°C	Free Convection,Sea Level
Storage Temperature	-20	-	65	°C	Free Convection,Sea Level
Operating Humidity	5	-	95	%RH	No Condensing
Storage Humidity	5	-	95	%RH	No Condensing

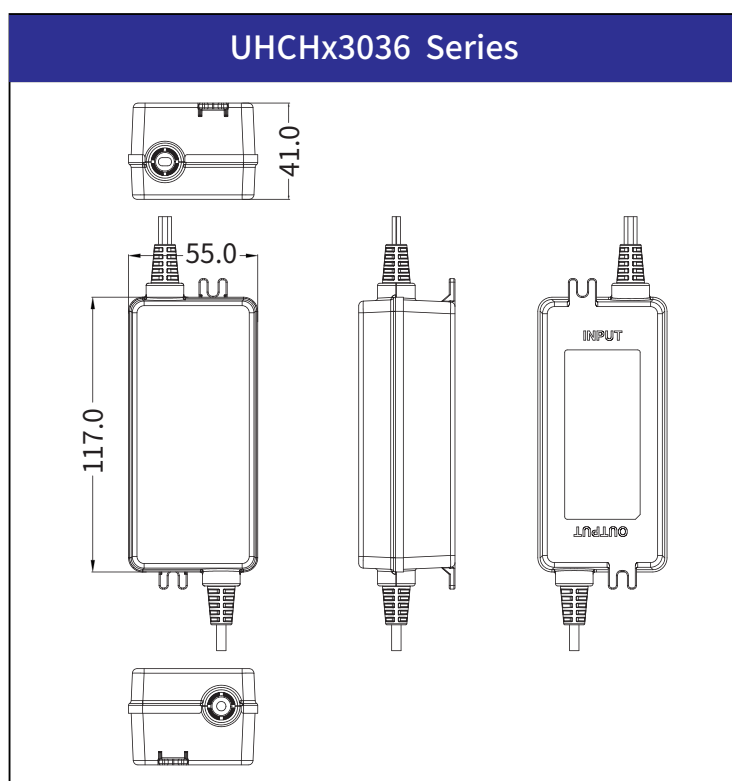
# Typical model list

Model Name	DC Output Voltage	DC Output Current	Output Voltage Precision	Ripple	Noise	Average Active Efficiency	No-Load Power Consumption	Option / Remark
UHCHx3036-120030SA	12.0V	3.0A	±5%	240mV	240mV	87.40%	0.1W	
UHCHx3036-150024SA	15.0V	2.4A	±5%	240mV	240mV	87.40%	0.1W	
UHCHx3036-190019SA	19.0V	1.9A	±5%	240mV	240mV	87.40%	0.1W	
UHCHx3036-240015SA	24.0V	1.5A	±5%	240mV	240mV	87.40%	0.1W	

■ Measurement Condition

1. Measurements shall be made with an oscilloscope with 20MHz bandwidth.
2. Outputs shall be bypassed at the connector with a 0.1uF ceramic disk capacitor and a 10uF electrolytic capacitor to simulate system loading.

# Mechanical Spec



■ Please contact our sales department for details of each model ■