

# UNDG 100W Series

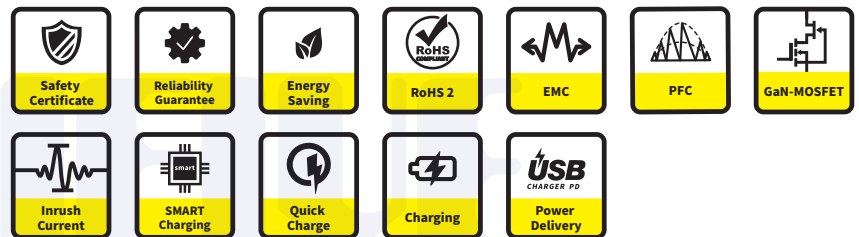
**I.C.T./AV AC/DC Adaptor  
USB PD  
USB-C(With Cable)/GaN**



▲ **UNDGI3100**



▲ **UNDGB3100**



■ Please contact our sales department for safety standard of each model.

## Product Highlights

- Stability
- Energy and High Efficiency
- Small size
- Mobility
- Support PD/ PPS/ QC/Apple mode
- Suitable for mobile phone/portable device, etc.

## Efficiency

- Energy Efficiency Level VI ( ErP / DoE )
- Meet Commission Regulation(EU) 2019/1782
- Meet DOE 10 CFR part 429 and 430
- Meet DOE VII Draft

## Protection

- Short Circuit Protection
- Over Voltage Protection
- Over Current Protection
- Over Temperature Protection (optional)

## Emissions

- FCC
  - FCC Part15-B
- CE
  - EN(CISPR)55032-B
- VCCI-B
- BS EN 55032

## Safety Standard

- 62368-1
- PSE 別表第八

## Immunity

- EN55035
  - BS EN 55035
- The above specifications include the following test standards
- ✓ EN61000-4-2
  - ✓ EN61000-4-3
  - ✓ EN61000-4-4
  - ✓ EN61000-4-5
  - ✓ EN61000-4-6
  - ✓ EN61000-4-8
  - ✓ EN61000-4-11

# Electrical Spec

Input					
Description	Min.	Typ	Max.	Units	Comment
Voltage	90	100~240	264	Vac	
Frequency	47	50/60	63	Hz	

Environmental					
Description	Min.	Typ.	Max.	Units	Comment
Operating Temperature	0	-	40	°C	Free Convection,Sea Level
Storage Temperature	-20	-	65	°C	Free Convection,Sea Level
Operating Humidity	5	-	95	%RH	No Condensing
Storage Humidity	5	-	95	%RH	No Condensing

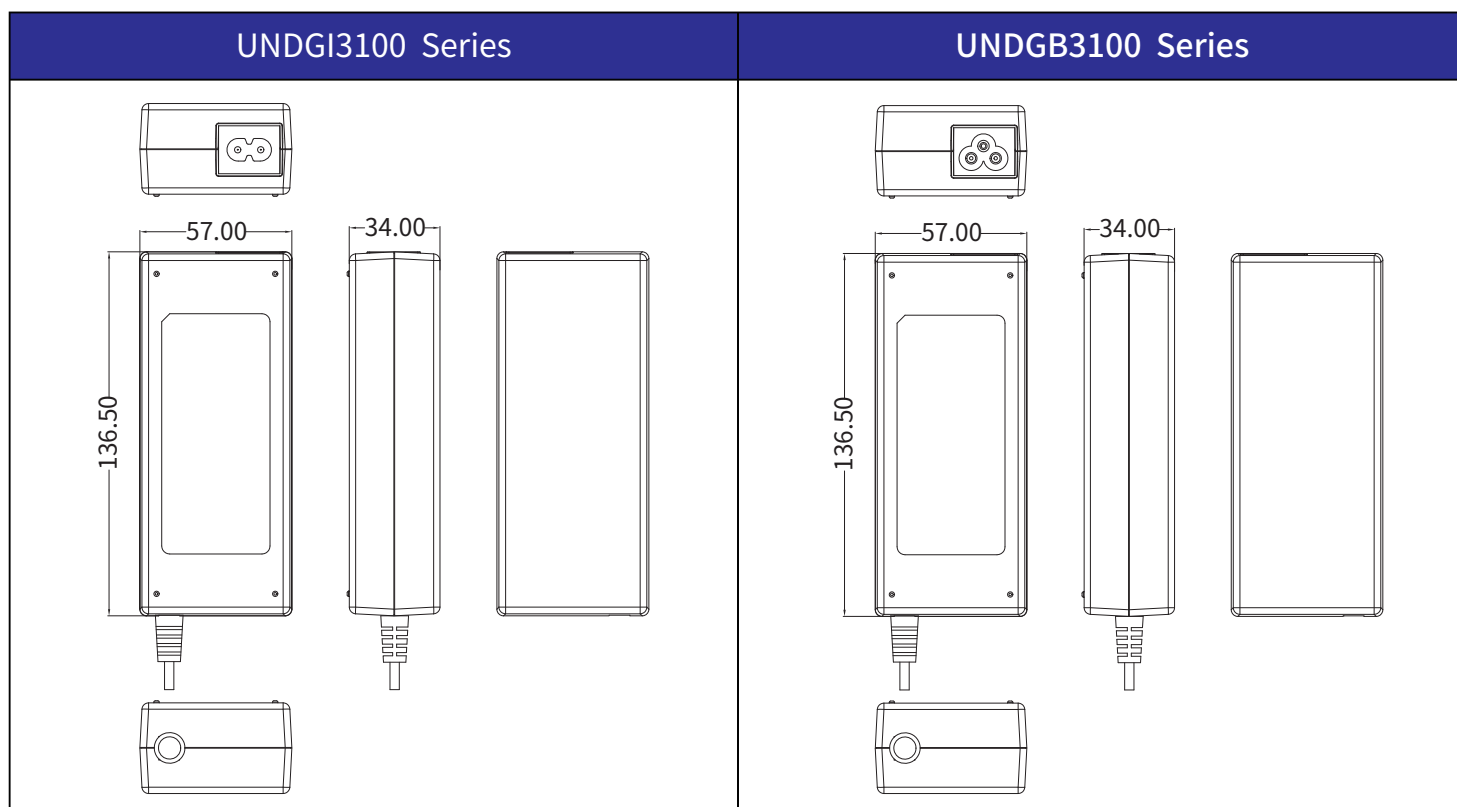
# Typical model list

Output Condition	Model Name	DC Output Voltage	DC Output Current	Output Voltage Precision	Ripple	Noise	Average Active Efficiency	No-Load Power Consumption	Option / Remark
USB-C	UNDGx3100-200050CA	5.0V	3.0A	±5%	150mV	150mV	81.39%	0.15W	PD
		9.0V	3.0A	±5%	150mV	150mV	86.62%	0.15W	
		12.0V	3.0A	±5%	150mV	150mV	87.40%	0.15W	
		15.0V	3.0A	±5%	250mV	250mV	87.73%	0.15W	
		20.0V	5.0A	±5%	250mV	250mV	88.00%	0.15W	

■ Measurement Condition

1. Measurements shall be made with an oscilloscope with 20MHz bandwidth.
2. Outputs shall be bypassed at the connector with a 0.1uF ceramic disk capacitor and a 10uF electrolytic capacitor to simulate system loading.

# Mechanical Spec



■ Please contact our sales department for details of each model ■