

UNDG 160W Series

I.C.T./AV AC/DC Adaptor
Compact Design
GaN Mosfet Technology



▲ **UNDGI3160**



▲ **UNDGB3160**



▲ **UNDGC3160**



▲ **UNDGT3160**



■ Please contact our sales department for safety standard of each model.



Product Highlights

- Stability
- Energy and High Efficiency
- Small size
- Light weight
- Suitable for audio, video, information and communications technology equipment

Efficiency

- Energy Efficiency Level VI (ErP / DoE)
- Meet Commission Regulation(EU) 2019/1782
- Meet DOE 10 CFR part 429 and 430

Protection

- Short Circuit Protection
- Over Voltage Protection
- Over Current Protection

Emissions

- FCC
 - FCC Part15-B
- CE
 - EN(CISPR)55032-B
- VCCI-B
- BS EN 55032

Safety Standard

- 60950-1
- 62368-1
- PSE別表第八

Immunity

- EN55035
 - BS EN 55035
- The above specifications include the following test standards
- ✓ EN61000-4-2
 - ✓ EN61000-4-3
 - ✓ EN61000-4-4
 - ✓ EN61000-4-5
 - ✓ EN61000-4-6
 - ✓ EN61000-4-8
 - ✓ EN61000-4-11

Electrical Spec

Input						
Description	Min.	Typ.	Max.	Units	Comment	
Voltage	90	100~240	264	Vac		
Frequency	47	50/60	63	Hz		
Power Factor	ACIN 100V	-	0.95	-	-	
	ACIN 230V	-	0.9	-	-	

Environmental						
Description	Min.	Typ.	Max.	Units	Comment	
Operating Temperature	0	-	40	°C	Free Convection, Sea Level	
Storage Temperature	-20	-	65	°C	Free Convection, Sea Level	
Operating Humidity	5	-	95	%RH	No Condensing	
Storage Humidity	5	-	95	%RH	No Condensing	

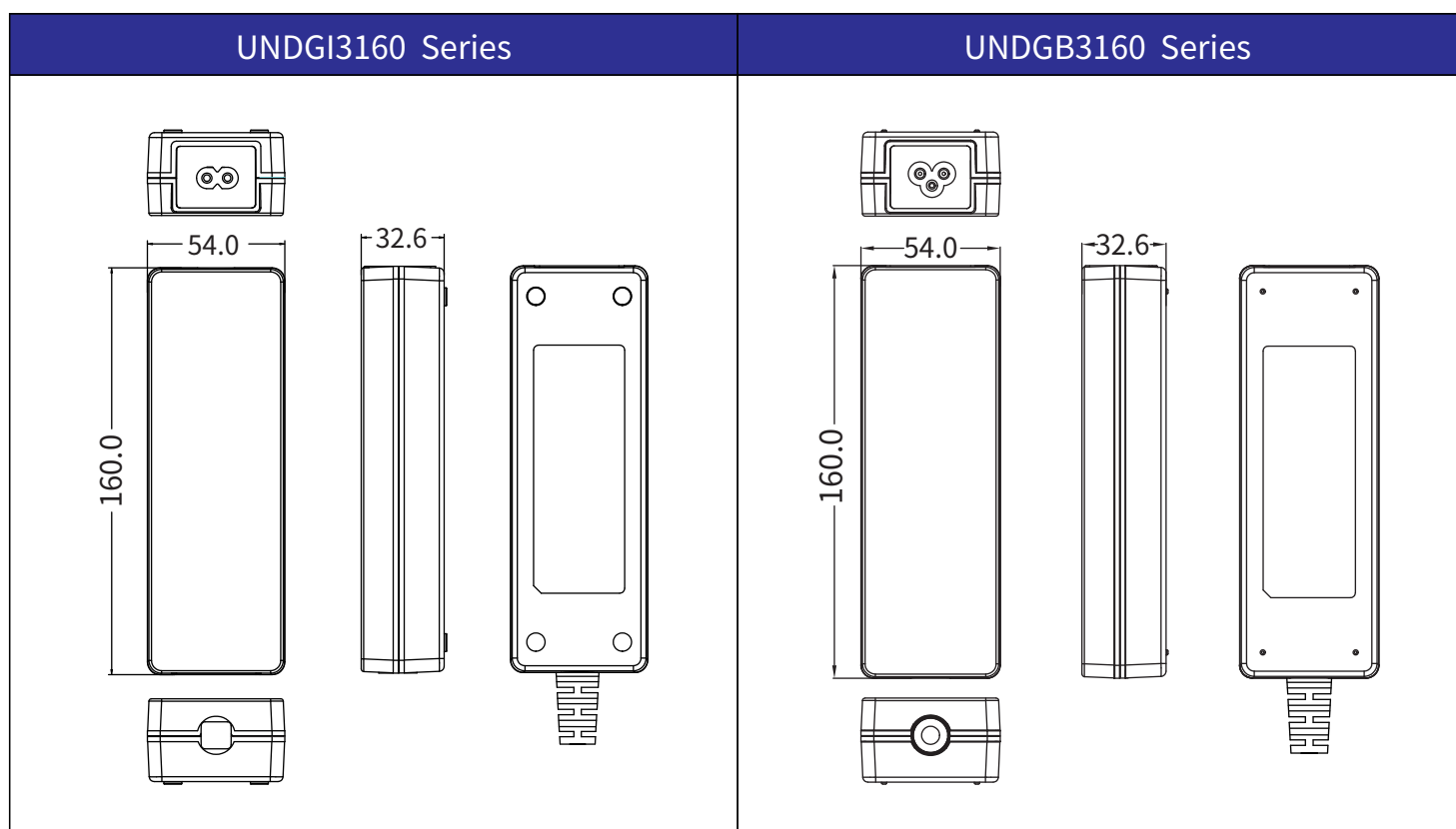
Typical model list

Model Name	DC Output Voltage	DC Output Current	Output Voltage Precision	Ripple	Noise	Average Active Efficiency	No-Load Power Consumption	Option / Remark
UNDGx3160-120125SA	12.0V	12.5A	±5%	120mV	240mV	89.00%	0.21W	
UNDGx3160-190084SA	19.0V	8.42A	±5%	150mV	300mV	89.00%	0.21W	
UNDGx3160-240066SA	24.0V	6.67A	±5%	240mV	480mV	89.00%	0.21W	
UNDGx3160-480033SA	48.0V	3.33A	±5%	240mV	480mV	89.00%	0.21W	

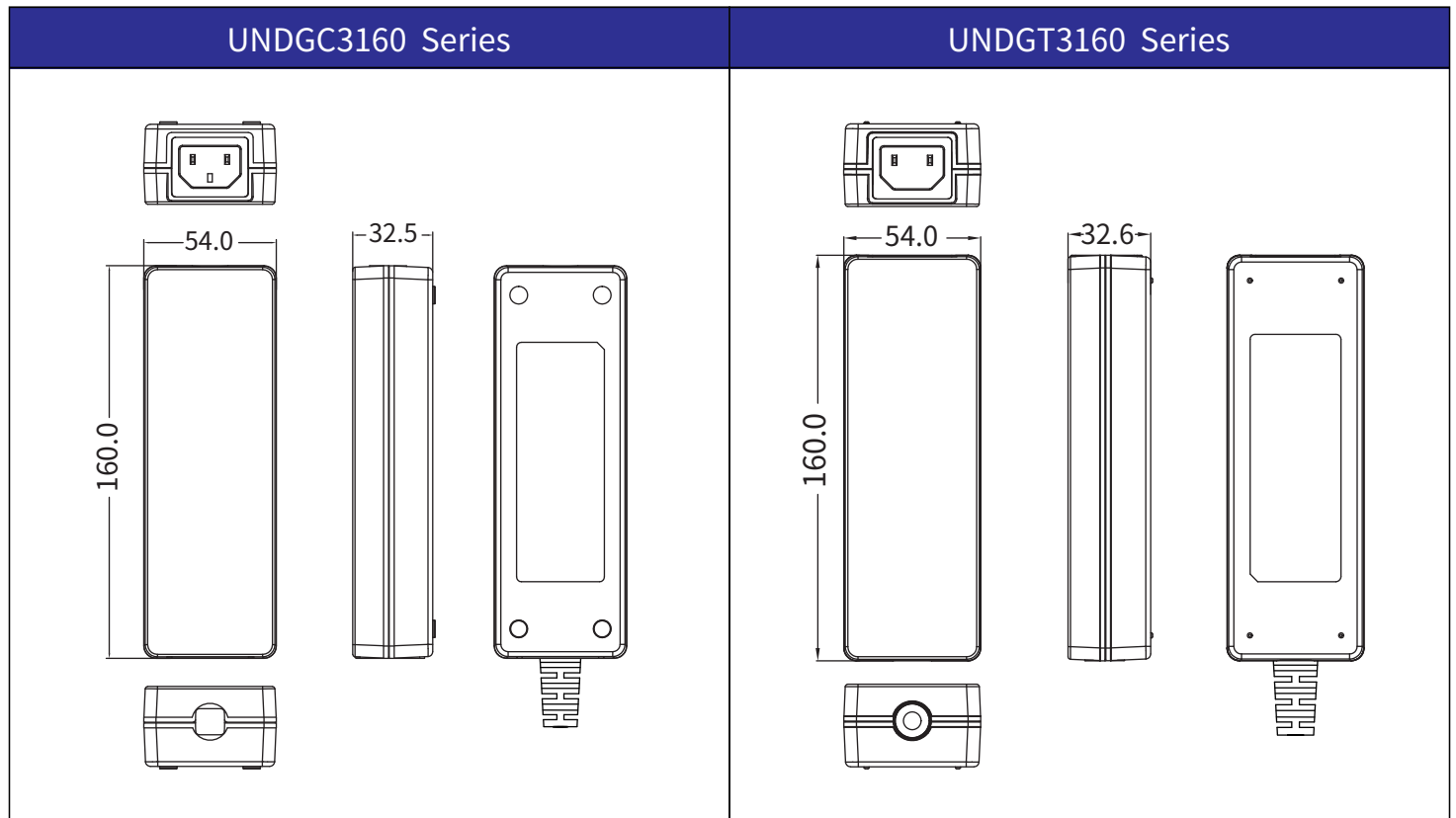
■ Measurement Condition

1. Measurements shall be made with an oscilloscope with 20MHz bandwidth.
2. Outputs shall be bypassed at the connector with a 0.1uF ceramic disk capacitor and a 10uF electrolytic capacitor to simulate system loading.

Mechanical Spec



Electrical Spec



the following blank

■ Please contact our sales department for details of each model ■