

UNDG 200W Series

I.C.T./AV AC/DC Adaptor
Compact Design
GaN Mosfet Technology



▲ **UNDGC3200**



Please contact our sales department for safety standard of each model.

Product Highlights

- Stability
- Energy and High Efficiency
- Small size
- Light weight
- Suitable for audio, video, information and communications technology equipment

Protection

- Short Circuit Protection
- Over Voltage Protection
- Over Current Protection
- Over Temperature Protection (optional)

Safety Standard

- 62368-1
- PSE別表第八

Efficiency

- Energy Efficiency Level VI (ErP / DoE)
- Meet Commission Regulation(EU) 2019/1782
- Meet DOE 10 CFR part 429 and 430

Emissions

- FCC
 - FCC Part15-B
- CE
 - EN(CISPR)55032-B
- VCCI-B
- BS EN 55032

Immunity

- EN55035
 - BS EN 55035
- The above specifications include the following test standards
- ✓ EN61000-4-2
 - ✓ EN61000-4-3
 - ✓ EN61000-4-4
 - ✓ EN61000-4-5
 - ✓ EN61000-4-6
 - ✓ EN61000-4-8
 - ✓ EN61000-4-11

Electrical Spec

Input						
Description		Min.	Typ.	Max.	Units	Comment
Voltage		90	100~240	264	Vac	
Frequency		47	50/60	63	Hz	
Power Factor	ACIN 100V	0.95	-	-	-	
	ACIN 230V	0.92	-	-	-	

Environmental						
Description		Min.	Typ.	Max.	Units	Comment
Operating Temperature		0	-	40	°C	Free Convection, Sea Level
Storage Temperature		-20	-	65	°C	Free Convection, Sea Level
Operating Humidity		5	-	95	%RH	No Condensing
Storage Humidity		5	-	95	%RH	No Condensing

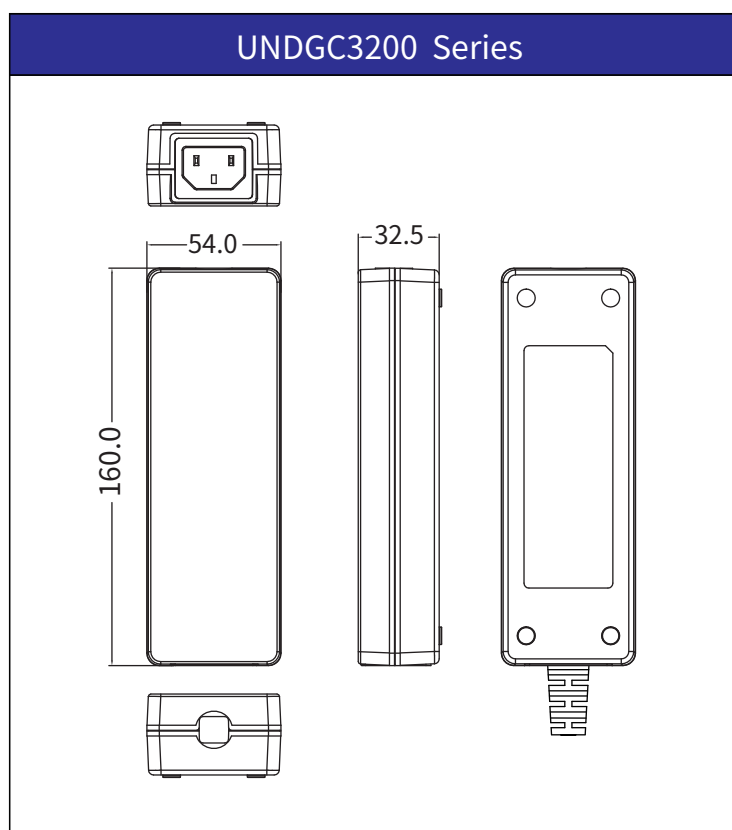
Typical model list

Model Name	DC Output Voltage	DC Output Current	Output Voltage Precision	Ripple	Noise	Average Active Efficiency	No-Load Power Consumption	Option / Remark
UNDGC3200-240083SA	24.0V	8.3A	±5%	480mV	480mV	88.00%	0.21W	
UNDGC3200-480041SA	48.0V	4.16A	±5%	700mV	700mV	88.00%	0.21W	

■ Measurement Condition

1. Measurements shall be made with an oscilloscope with 20MHz bandwidth.
2. Outputs shall be bypassed at the connector with a 0.1uF ceramic disk capacitor and a 10uF electrolytic capacitor to simulate system loading.

Mechanical Spec



■ Please contact our sales department for details of each model ■