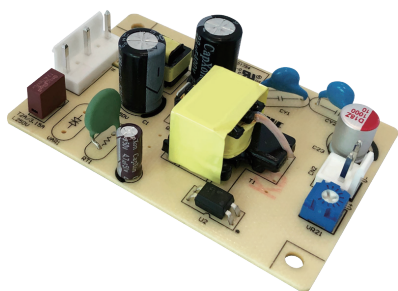


# UNOWT 10W Series

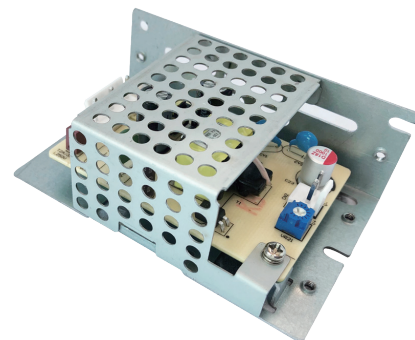
**Industrial Power Supply**  
**Standard Product**  
**Compact 2"×3"**



▲ UNOWT3010 Series



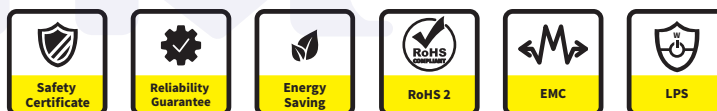
▲ UNBWT3010 Series  
with chassis



▲ UNSWT3010 Series  
with chassis and cover



■ Please contact our sales department for safety standard of each model.



## Model Name Definition

**UNOWT 3010 -**     

①            ②            ③            ④            ⑤

- ① Developed by UNIFIVE
- ② Series Code
- ③ Input Voltage (V)
- ④ Output Power (W)
- ⑤ Function Description  
(multiple digits)
  - S: standard version
  - CS: w/ chassis and cover
  - R: w/ remote ON/OFF
  - CR: w/ chassis, cover, and remote ON/OFF

## Product Highlights

- Stability
- Energy and High Efficiency
- Appendix 8 of PSE : comply with dusty requirement
- SEMI F47  
Valid if VAC.input > 200V
- 5 years warranty
- Correspond to OVC III (2000m)
- Operating altitude Up to 5,000m
- Suitable for industrial equipment

## Efficiency

- Energy Efficiency Level VI ( ErP / DoE )
- Meet Commission Regulation(EU) 2019/1782
- Meet DOE 10 CFR part 429 and 430

## Protection

- Short Circuit Protection
- Over Voltage Protection
- Over Current Protection

## Safety Standard

- 62368-1
- PSE 別表第八  
100V-240V 基準に準拠

## Emissions

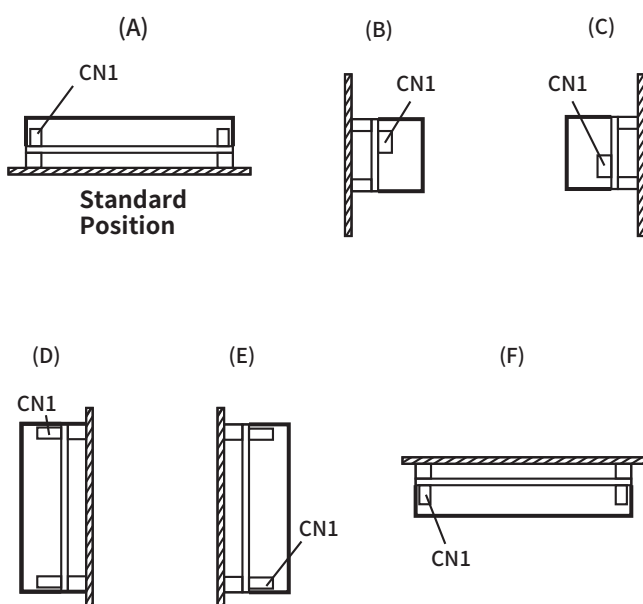
- FCC
  - FCC Part15-B
- CE
  - EN(CISPR)55032-B
- BS EN 55032

## Immunity

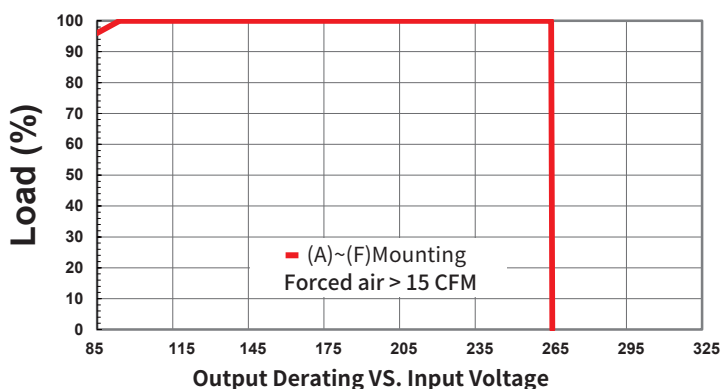
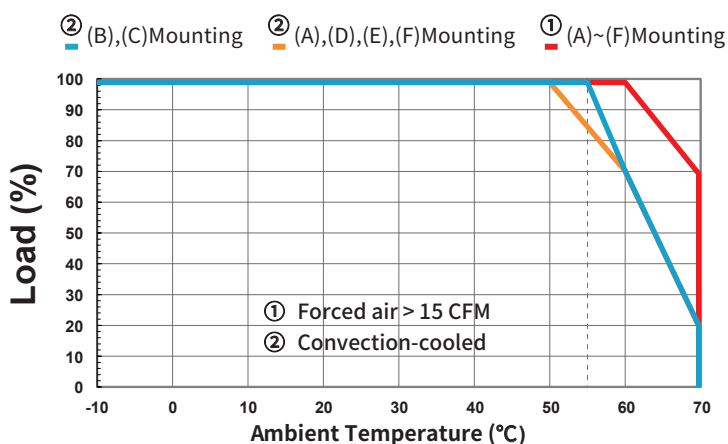
- EN55035
  - BS EN 55035
- The above specifications include the following test standards
- ✓ EN61000-4-2
  - ✓ EN61000-4-3
  - ✓ EN61000-4-4
  - ✓ EN61000-4-5
  - ✓ EN61000-4-6
  - ✓ EN61000-4-8
  - ✓ EN61000-4-11

## Installation Method & Derating

### Installation method



### Ambient temperature derating curve (reference value)



## Electrical Spec

Input					
Description	Min.	Typ.	Max.	Units	Comment
Voltage	85	100~240	265	Vac	
Frequency	47	50/60	63	Hz	

Environmental					
Description	Min.	Typ.	Max.	Units	Comment
Operating Temperature	-10	-	70	°C	Free Convection,Sea level
Storage Temperature	-30	-	75	°C	Free Convection,Sea Level
Operating Humidity	5	-	95	%RH	No Condensing
Storage Humidity	5	-	95	%RH	No Condensing

## Typical model list

Output Port	Model Name	DC Output Voltage	DC Output Current	Output voltage range	Ripple	Noise	Option / Remark
CN2	UNOWT3010-033020SA	3.3V	2.0A	±10% <sup>(4.)</sup>	160mV	160mV	
	UNOWT3010-050020SA	5.0V	2.0A	±10% <sup>(4.)</sup>	160mV	160mV	
	UNOWT3010-120900SA	12.0V	0.9A	±10% <sup>(4.)</sup>	180mV	180mV	
	UNOWT3010-150700SA	15.0V	0.7A	±10% <sup>(4.)</sup>	180mV	180mV	
	UNOWT3010-240500SA	24.0V	0.5A	±10% <sup>(4.)</sup>	180mV	180mV	

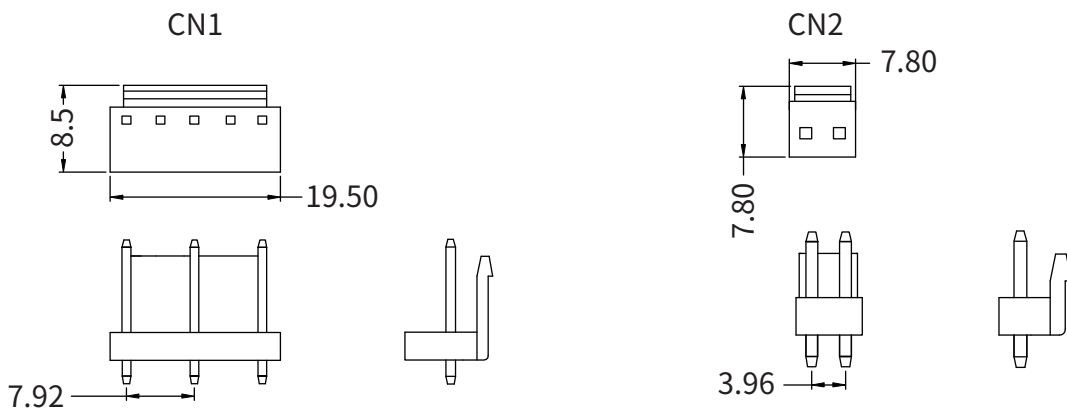
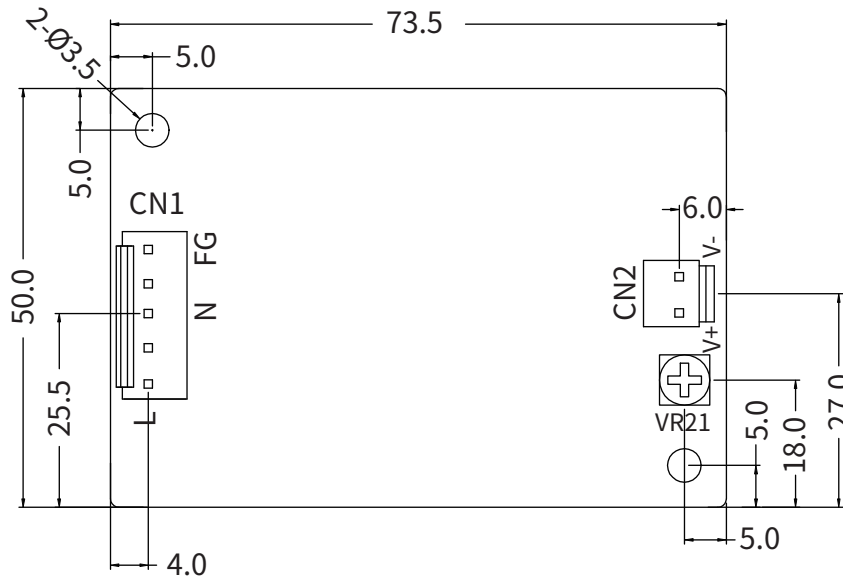
■ Measurement Condition

1. Measurements shall be made with an oscilloscope with 100MHz bandwidth.
2. Outputs shall be bypassed at the connector with a 0.1uF ceramic disk capacitor and a 100uF electrolytic capacitor to simulate system loading.
3. Use cable length 150mm for ripple test.
4. Output voltage range ±10%,the voltage can be adjusted by a rheostat.

more detail on next page

Mechanical Spec

TOLERANCE: ±0.5  
Unit:mm



CN1

PIN NUMBER	INPUT
1	AC(L)
2	
3	AC(N)
4	
5	FG

CN1 : INPUT CONNECT  
Specifications are equivalent to models of JST B5P-VH

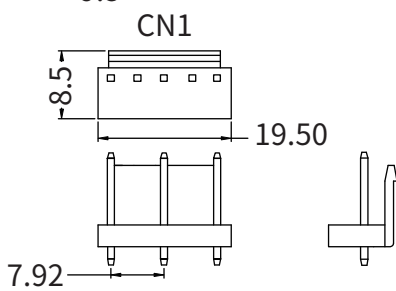
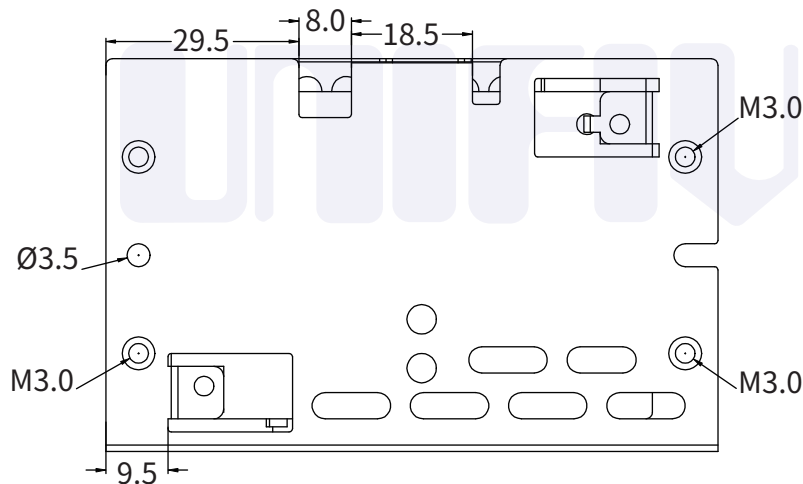
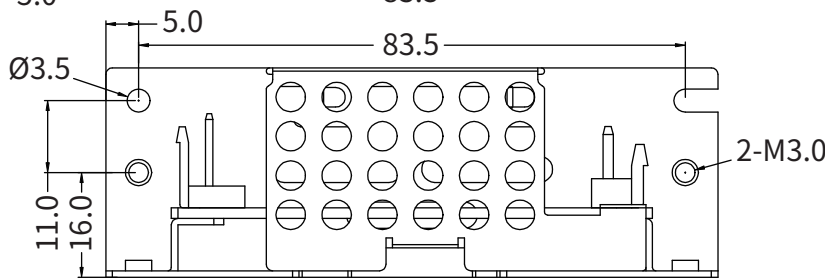
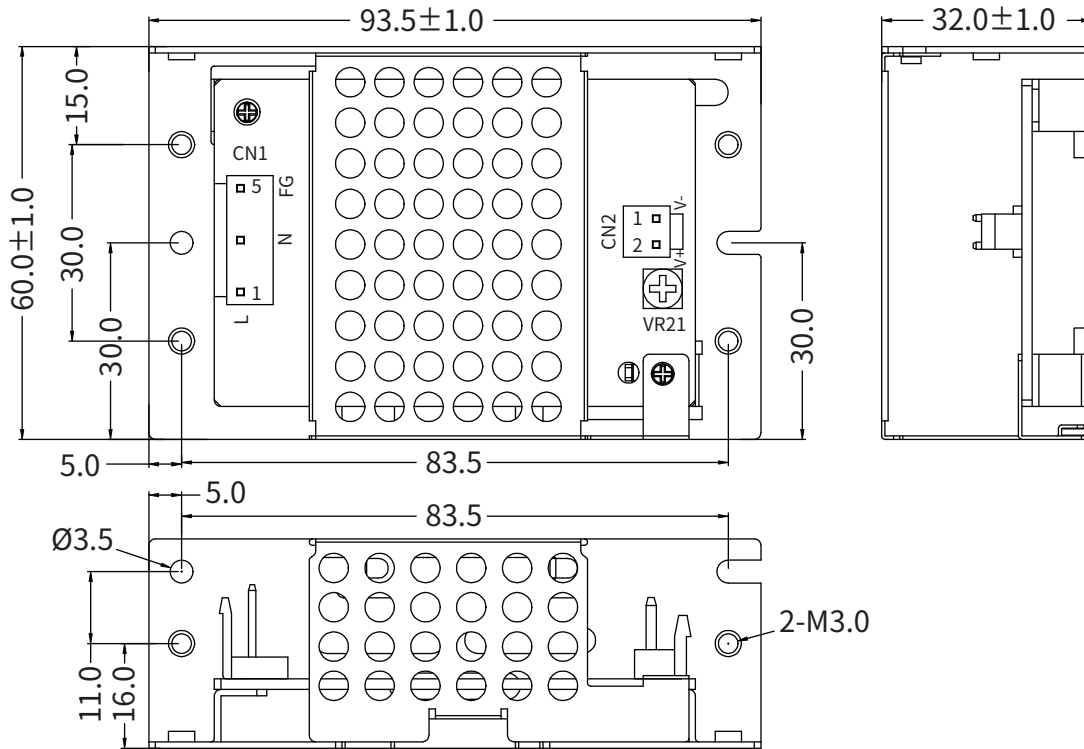
CN2

PIN NUMBER	OUTPUT
1	V-
2	V+

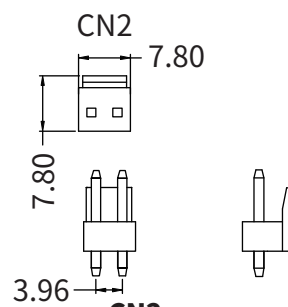
CN2 : OUTPUT CONNECT  
Specifications are equivalent to models of JST B2P-VH

# Mechanical Spec

**TOLERANCE: ±0.5**  
**Unit:mm**



**CN1**



**CN2**

PIN NUMBER	INPUT
1	AC(L)
2	
3	AC(N)
4	
5	FG

**CN1 : INPUT CONNECT**  
Specifications are equivalent to models of JST B5P-VH

PIN NUMBER	OUTPUT
1	V-
2	V+

**CN2 : OUTPUT CONNECT**  
Specifications are equivalent to models of JST B2P-VH

■ Please contact our sales department for details of each model ■