

UNVV 12W B Series

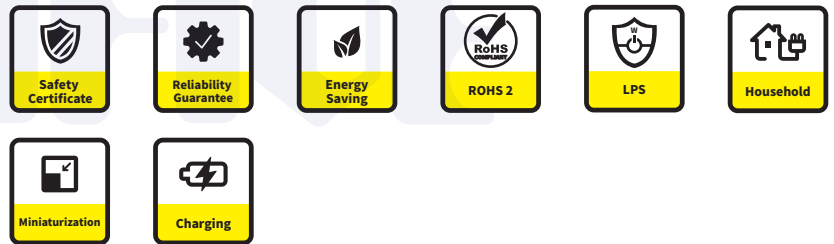
I.T.E./AV AC/DC Adaptor For lithium battery charging



▲ UNVVU3012 B ▲ UNVVE3012 B ▲ UNVVK3012 B ▲ UNVVA3012 B ▲ UNVVZ3012 B



■ Please contact our sales department for safety standard of each model.



Product Highlights

- Stability
- High efficiency
- Light weight
- Compact size

Protection

- Short Circuit Protection
- Over Voltage Protection
- Over Current Protection

Safety Standard

- 60065-1
- 60950-1
- 62368-1
- PSE 別表第八

Efficiency

- Energy Efficiency Level VI (ErP / DoE)
- Meet COMMISSION REGULATION(EU) 2019/1782
- Meet DOE 10 CFR part 429 and 430

Emissions

- FCC Part15 Class B
- VCCI Class B
- CE CISPR 32 EN 55032
- BS EN 55032

Immunity

- EN 55035
- BS EN 55035

Electrical Spec

Input					
Description	Min.	Typ.	Max.	Units	Comment
Voltage	90	100~240	264	Vac	
Frequency	47	50/60	63	Hz	

Environmental					
Description	Min.	Typ.	Max.	Units	Comment
Operating Temperature	0	-	40	°C	Free Convection,Sea Level
Storage Temperature	-20	-	65	°C	Free Convection,Sea Level
Operating Humidity	5	-	95	%RH	No Condensing
Storage Humidity	5	-	95	%RH	No Condensing

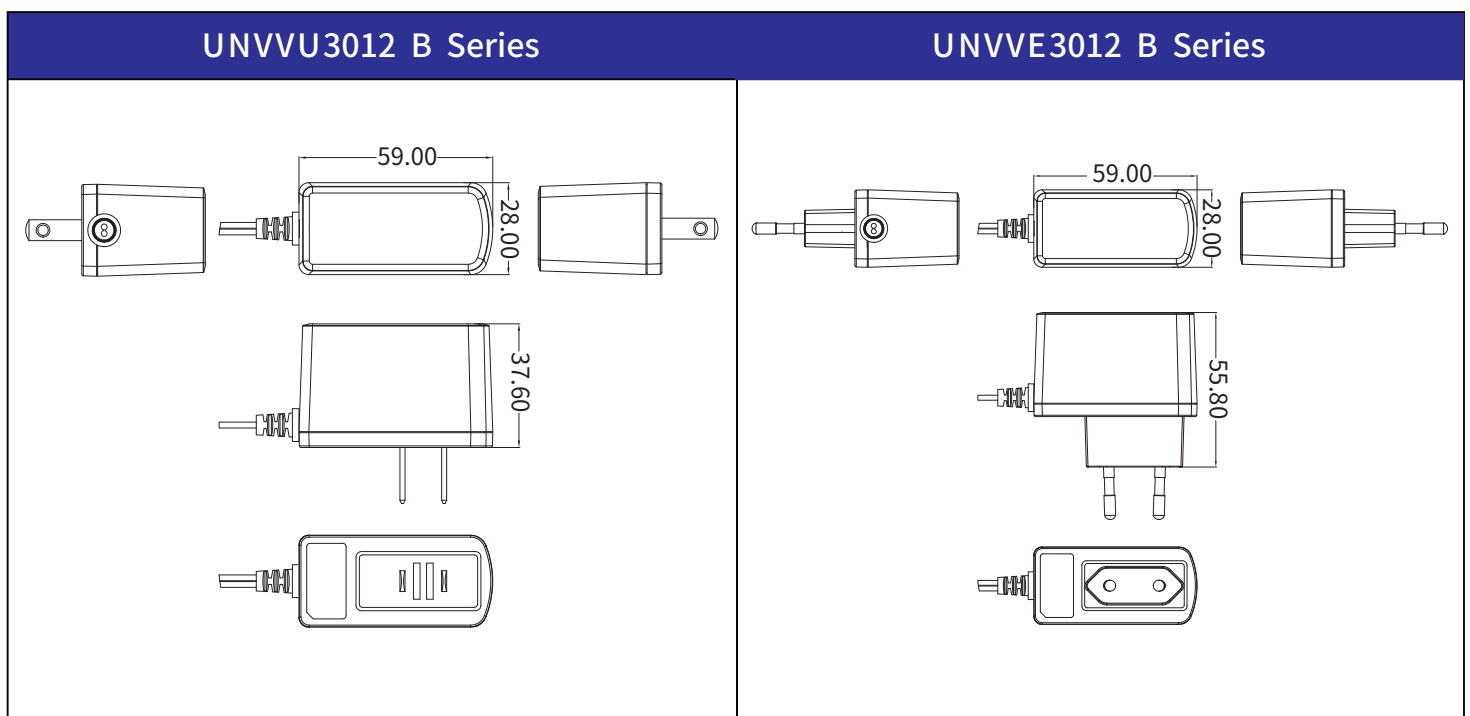
Typical model list

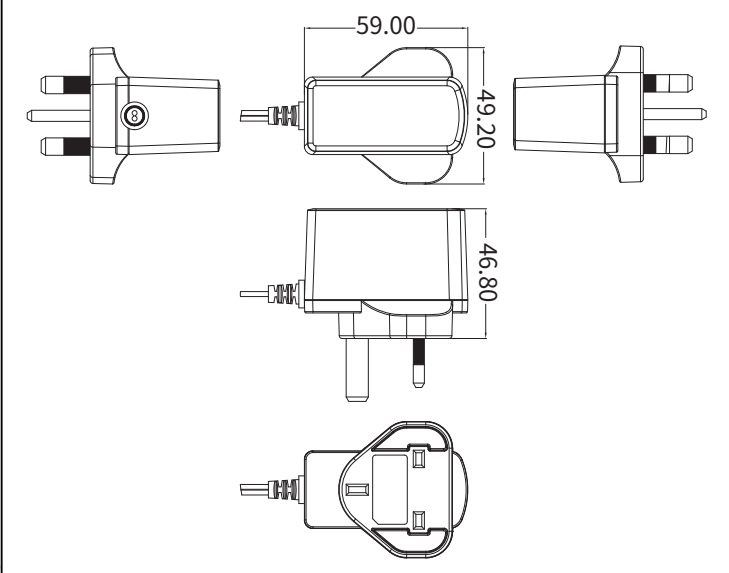
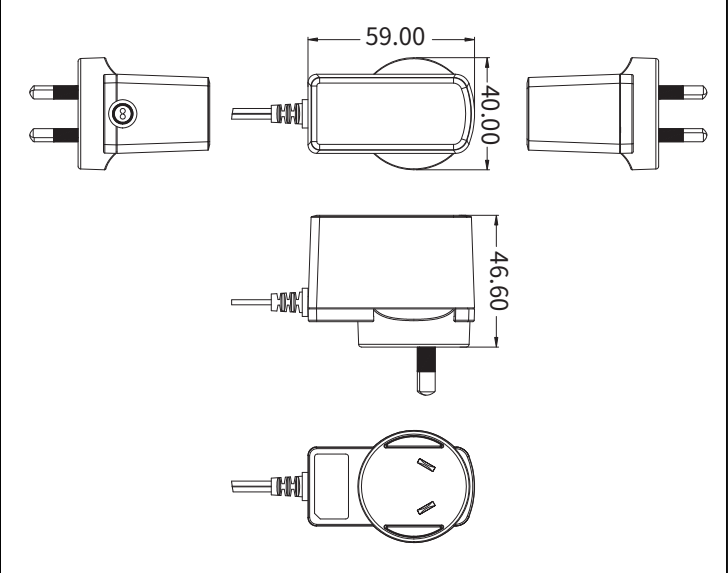

No.	DC Output Voltage	DC Output Current	Output Voltage Precision	Ripple	Noise	Average Active Efficiency	No-Load Power Consumption	Option/Remark
1	5.0V	2.0A	±5%	200mV	300mV	78.7%	0.1W	
2	12.0V	1.0A	±5%	200mV	300mV	83.0%	0.1W	
3	12.3V	0.7A	±5%	200mV	300mV	80.9%	0.1W	
4	24.0V	0.5A	±5%	200mV	300mV	83.0%	0.1W	

■ Measurement condition

1. Measurements shall be made with an oscilloscope with 20MHz bandwidth.
2. Outputs shall be bypassed at the connector with a 0.1uF ceramic disk capacitor and a 10uF electrolytic capacitor to simulate system loading.

Mechanical Spec



UNVVK3012 B Series	UNVVA3012 B Series
 <p>Mechanical drawings of the UNVVK3012 B Series connector. The drawings include a front view, a side view, and a rear view. The dimensions are: 59.00 (width), 49.20 (height), and 46.80 (depth).</p>	 <p>Mechanical drawings of the UNVVA3012 B Series connector. The drawings include a front view, a side view, and a rear view. The dimensions are: 59.00 (width), 40.00 (height), and 46.60 (depth).</p>
UNVVZ3012 B Series	

the following blank