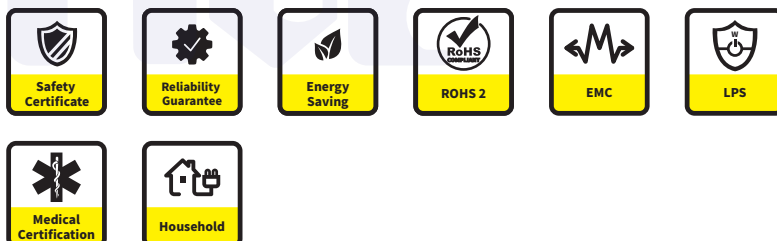


# UxOAT 60W Series

Medical/Home/I.C.T. - Open Frame  
Standard Product



▲ UxOAT3060



CE UK CA FC

For further information of UxOAT 60W series' safety standard, please contact us.

## Model Name Definition

# UxOAT3060

x : Depend on Safety Standard

- M 60601-1
- H 61558-1/60335-1
- N 62368-1/60065-1/60950-1

## Product Highlights

- Stability
- Energy and High Efficiency
- Appendix 8 of PSE : comply with dusty requirement
- Suitable for devices with built-in power supply
- The lifespan of the power supply is 5 years.

## Protection

- Short Circuit Protection
- Over Voltage Protection
- Over Current Protection
- Over Temperature Protection (Optional)

## Safety Standard

- 62368-1
- 60601-1
- 61558-1
- 60335-1

## Efficiency

- Energy Efficiency Level VI ( ErP / DoE )
- Meet Commission Regulation(EU) 2019/1782
- Meet DOE 10 CFR part 429 and 430

## Emissions

- FCC
  - FCC Part15-B
  - FCC Part18-B
- CE
  - EN(CISPR)55032-B
  - EN(CISPR)55011-B
  - EN(CISPR)55014-B
- BS EN 55032
- BS EN55011
- BS EN55014-1

## Immunity

- EN55035
- BS EN 55035
- EN60601-1-2
- BS EN60601-1-2
- EN55014-2
- BS EN55014-2

The above specifications include the following test standards

- ✓ EN61000-4-2
- ✓ EN61000-4-3
- ✓ EN61000-4-4
- ✓ EN61000-4-5
- ✓ EN61000-4-6
- ✓ EN61000-4-8
- ✓ EN61000-4-11

## Electrical Spec

Input					
Description	Min.	Typ.	Max.	Units	Comment
Voltage	90	100~240	264	Vac	
Frequency	47	50/60	63	Hz	

Environmental					
Description	Min.	Typ.	Max.	Units	Comment
Operating Temperature	0	-	50	°C	Free Convection,Sea Level
Storage Temperature	-20	-	65	°C	Free Convection,Sea Level
Operating Humidity	5	-	95	%RH	No Condensing
Storage Humidity	5	-	95	%RH	No Condensing

## Typical model list

Output Port	Model Name	DC Output Voltage	DC Output Current	Output Voltage Precision	Ripple	Noise	Option / Remark
CN2	UxOAT3060-120050SA	12.0V	5.0A	±5%	240mV	300mV	
	UxOAT3060-240025SA	24.0V	2.5A	±5%	240mV	480mV	

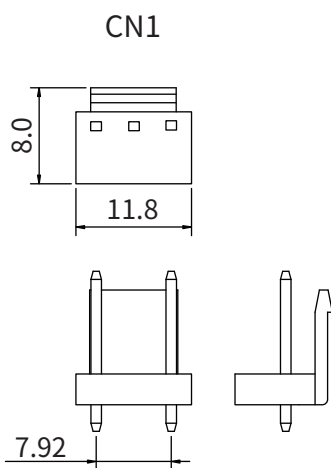
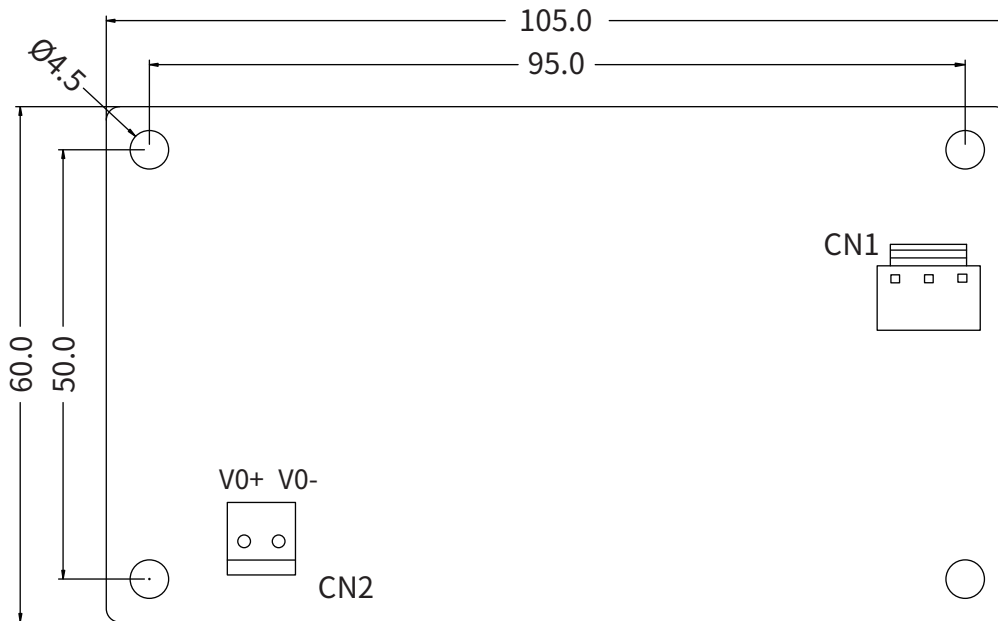
■ Measurement Condition

1. Measurements shall be made with an oscilloscope with 20MHz bandwidth.

2. Outputs shall be bypassed at the connector with a 0.1uF ceramic disk capacitor and a 10uF electrolytic capacitor to simulate system loading.

Mechanical Spec

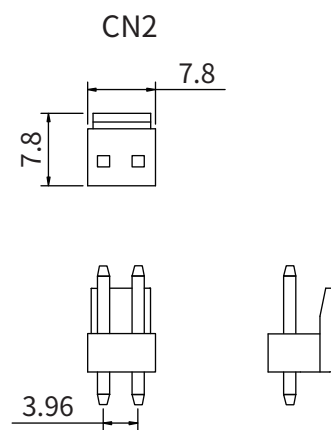
TOLERANCE: ±0.5  
Unit:mm



CN1

PIN NUMBER	INPUT
1	AC(N)
2	
3	AC(L)

CN1 : INPUT CONNECT  
Specifications are equivalent to models of JST B3P-VH



CN2

PIN NUMBER	OUTPUT
1	VO-
2	VO+

CN2 : OUTPUT CONNECT  
Specifications are equivalent to models of JST B2P-VH

■ Please contact our sales department for details of each model ■