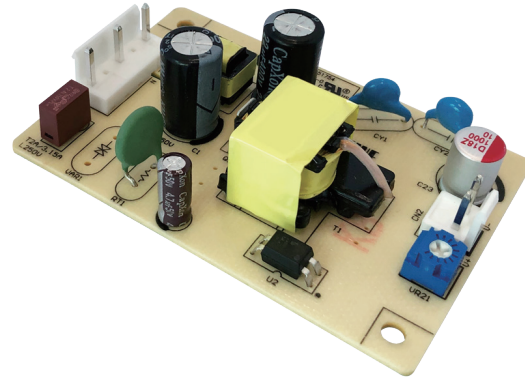


UxOWT 10W Series

Open Frame Switching Power Supply



▲ UxOWT3010 Series



■ Please contact our sales department for safety standard of each model.



Model Name Definition

UxOWT3010

x : Depend on Safety Standard

- N 62368-1

Product Highlights

- Stability
- Energy Efficiency
- Full Range Input Voltage (85Vac~265Vac)
- Appendix 8 of PSE : Comply with Dusty Requirement.
- Output adjustable voltage

Protection

- Short Circuit Protection
- Over Voltage Protection
- Over Current Protection

Safety Standard

- 62368-1
- PSE 別表第八 100V 基準に準拠

Efficiency

- Energy Efficiency Level VI(ErP/DoE)
- Meet COMMISSION REGULATION(EU) 2019/1782
- Meet DOE 10 CFR part 429 and 430

Emissions

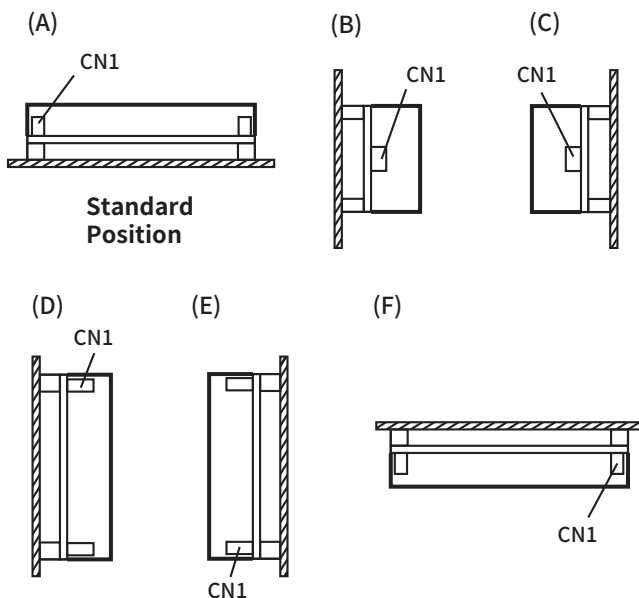
- FCC Part15 Class B
- CE CISPR 32 EN55032
- BS EN 55032

Immunity

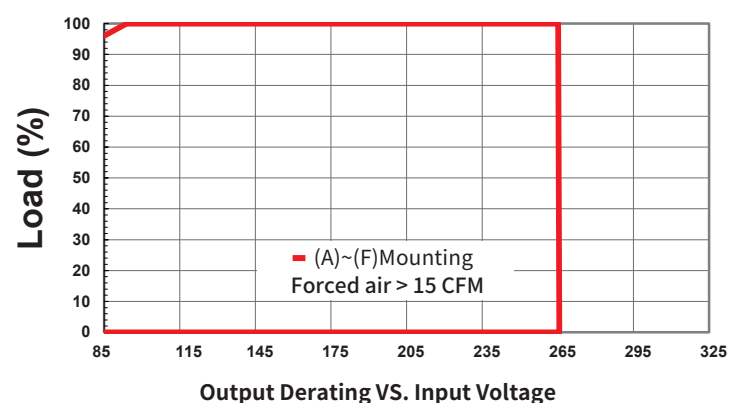
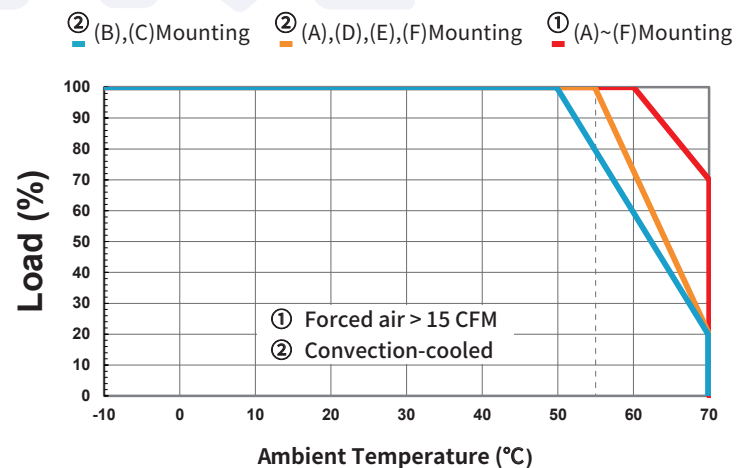
- EN 55035
- BS EN 55035

Derating Curve of Operating Ambient

Power Supply Positioning:



Measuring points and thermal test:



Electrical Spec

Input					
Description	Min.	Typ.	Max.	Units	Comment
Voltage	85	100~240	265	Vac	
Frequency	47	50/60	63	Hz	

Environmental					
Description	Min.	Typ.	Max.	Units	Comment
Operating Temperature	-10	-	70	°C	Free Convection, Sea Level Convection: -10 - +70°C (-10 - +50°C: 100%, +60°C: 70%, +70°C: 20%)
Storage Temperature	-30	-	75	°C	Free Convection, Sea Level
Operating Humidity	5	-	95	%RH	No Condensing
Storage Humidity	5	-	95	%RH	No Condensing

Typical model list

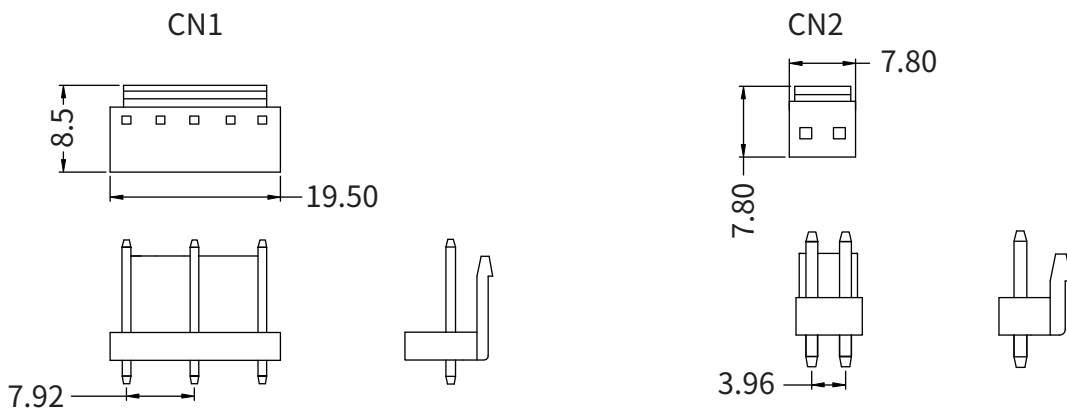
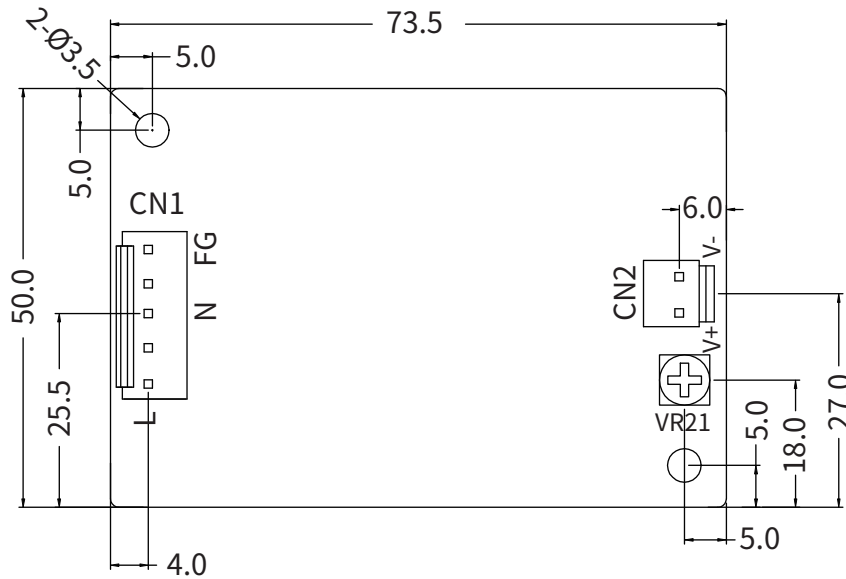
Output Port	DC Output Voltage	DC Output Current	Output voltage range	Ripple	Noise	Average Active Efficiency	Option/Remark
CN2	3.3V	2.0A	±10% ^(4.)	160mV	160mV	75.71%	
	5.0V	2.0A	±10% ^(4.)	160mV	160mV	78.70%	
	12.0V	0.9A	±10% ^(4.)	180mV	180mV	82.38%	
	15.0V	0.7A	±10% ^(4.)	180mV	180mV	82.22%	
	24.0V	0.5A	±10% ^(4.)	180mV	180mV	82.96%	

■ Measurement Condition

1. Measurements shall be made with an oscilloscope with 100MHz bandwidth.
2. Outputs shall be bypassed at the connector with a 0.1uF ceramic disk capacitor and a 100uF electrolytic capacitor to simulate system loading.
3. Use cable length 150mm for ripple test.
4. Output voltage range ±10%, the voltage can be adjusted by a rheostat.

more detail on next page

TOLERANCE: ±0.5
Unit:mm



CN1

PIN NUMBER	INPUT
1	AC(L)
2	AC(N)
3	

CN1 : INPUT CONNECTION
MODEL NO : JSW A3963WV-5P 5PIN
PIN2,4無
(THE EQUIVALENT)

CN2

PIN NUMBER	OUTPUT
1	V-
2	V+

CN2 : OUTPUT CONNECTION
MODEL NO : JSW 2PIN A3963WV-2P
P=3.96mm
(THE EQUIVALENT)

■ Please contact our sales department for details of each model ■