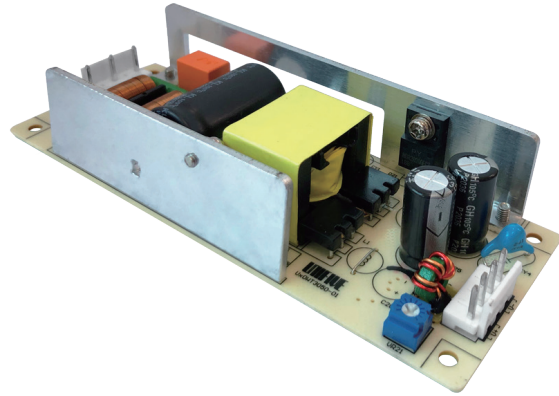


# UxOWT 50W Series

## Open Frame Switching Power Supply



▲ Initial sample picture  
UxOWT3050 Series



■ Please contact our sales department for safety standard of each model.



### Model Name Definition

# UxOWT3050

x : Depend on Safety Standard

- N 62368-1

## Product Highlights

- Stability
- Energy Efficiency
- Full Range Input Voltage (85Vac~265Vac)
- Appendix 8 of PSE : Comply with Dusty Requirement.
- Output adjustable voltage

## Protection

- Short Circuit Protection
- Over Voltage Protection
- Over Current Protection

## Safety Standard

- 62368-1
- PSE 別表第八 100V 基準に準拠

## Efficiency

- Energy Efficiency Level VI(ErP/DoE)
- Meet COMMISSION REGULATION(EU) 2019/1782
- Meet DOE 10 CFR part 429 and 430

## Emissions

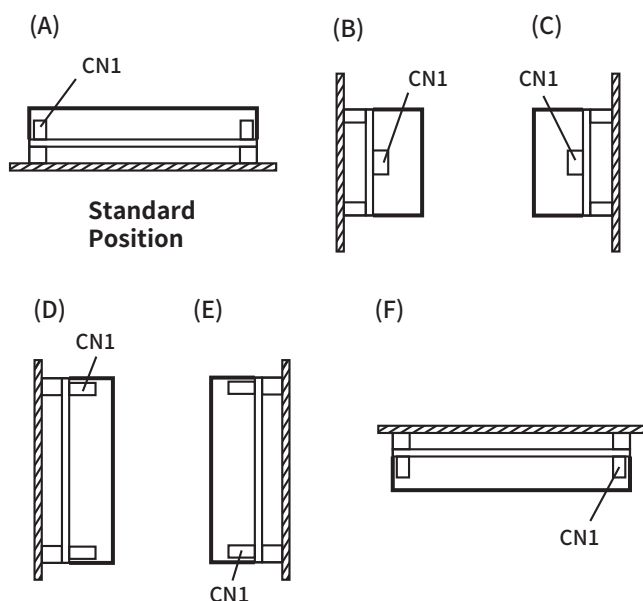
- FCC Part15 Class B
- CE CISPR 32 EN55032
- BS EN 55032

## Immunity

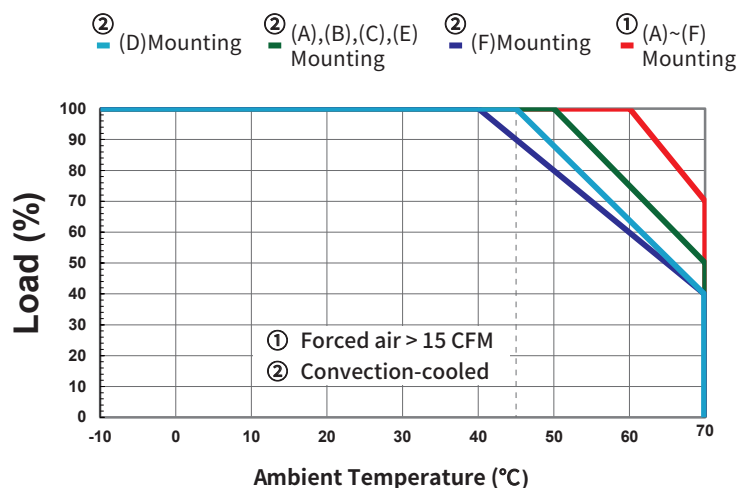
- EN 55035
- BS EN 55035

## Derating Curve of Operating Ambient

### Power Supply Positioning:



### Measuring points and thermal test:



## Electrical Spec

Input					
Description	Min.	Typ.	Max.	Units	Comment
Voltage	85	100~240	265	Vac	
Frequency	47	50/60	63	Hz	

Environmental					
Description	Min.	Typ.	Max.	Units	Comment
Operating Temperature	-10	-	70	°C	Free Convection, Sea Level Convection: -10 - +70°C (-10 - +50°C: 100%, +60°C: 75%, +70°C: 50%)
Storage Temperature	-30	-	75	°C	Free Convection, Sea Level
Operating Humidity	5	-	95	%RH	No Condensing
Storage Humidity	5	-	95	%RH	No Condensing

## Typical model list

Output Port	DC Output Voltage	DC Output Current	Output voltage range	Ripple	Noise	Average Active Efficiency	Option/Remark
CN2	12.0V	4.3A	±10% (4.)	150mV	150mV	88.0%	
	15.0V	3.5A	±10% (4.)	150mV	150mV	88.0%	
	24.0V	2.1A	±10% (4.)	150mV	150mV	88.0%	
	48.0V	1.1A	±10% (4.)	200mV	200mV	88.0%	

■ Measurement Condition

1. Measurements shall be made with an oscilloscope with 100MHz bandwidth.
2. Outputs shall be bypassed at the connector with a 0.1uF ceramic disk capacitor and a 100uF electrolytic capacitor to simulate system loading.
3. Use cable length 150mm for ripple test.
4. Output voltage range ±10%, the voltage can be adjusted by a rheostat.

more detail on next page

